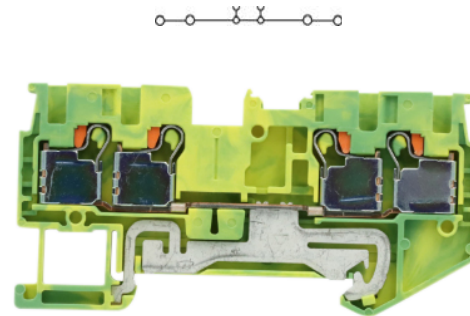


# Push-In Terminal Block

## Features

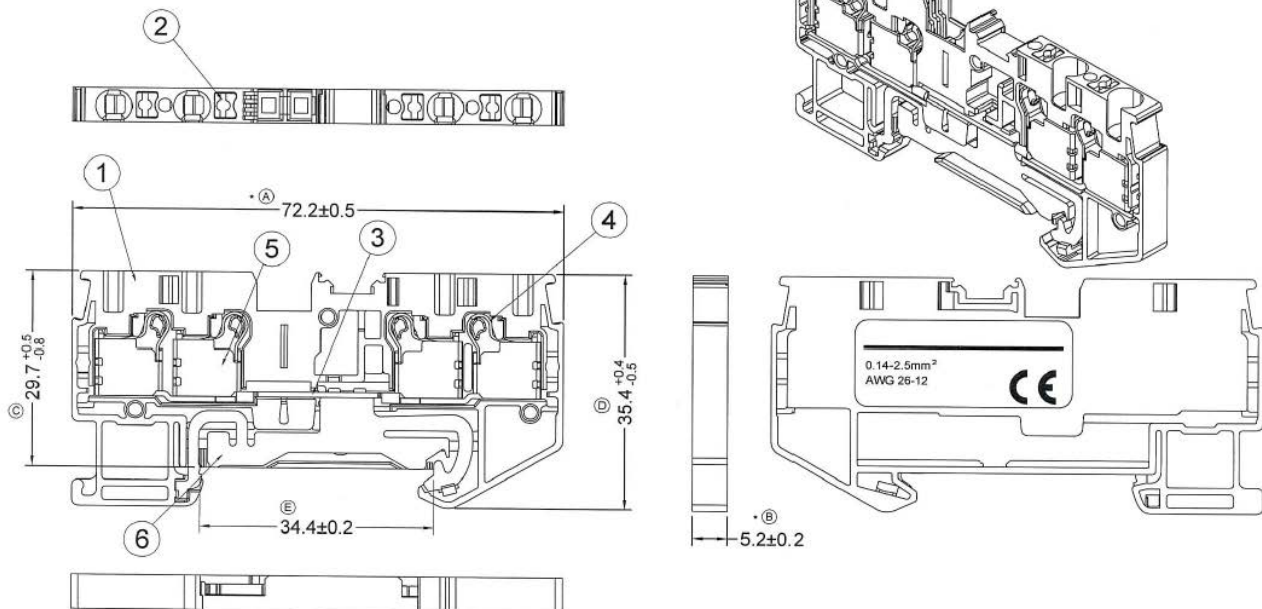
- Space-saving design
- Vibration proof anti-loosening wire connection with pre-stressed spring clamp
- Easy to operate, fast wiring installation with top wire entry
- Easy mounting and dismounting from the terminal rail
- Corrosion-proof terminal points
- Low contact resistance
- Easy for the extension of terminal connection
- Easy handling and safe connection
- Connecting without tools
- Colored plates ensure safety connections and operations



## Specification

Wire Size	26 ... 12 AWG, 0.14 ... 2.5 mm <sup>2</sup>
Impulse Withstand Voltage / Pollution Degree	8 kV / 3
Insulation Stripping Length	8 ... 10 mm
Number of Positions	4
Operating Temperature	-40 ... 105 °C
Terminal Block Colour	Green
Wire Connection Method	Push-In

## Drawing



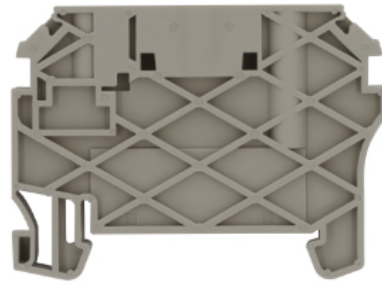
## Material Specification

1 - Insulating Body	Polyamide 66
2 - Button	PBT
3 - Terminal	Copper, Tin Plated
4 - Spring	Stainless
5 - Shell	Steel, Zinc Plated
6 - Terminal	Copper Alloy, Tin Plated

## Accessories



**End Plate**  
RND 205-01393



**End Bracket**  
RND 205-01394

**Art Nr.**  
RND 205-01388